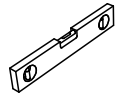
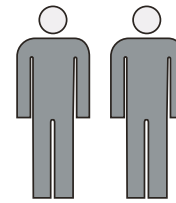
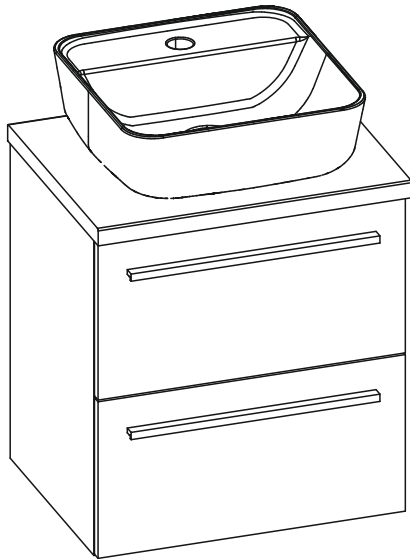
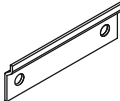
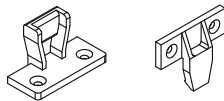




# 50 2S+B

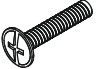


<b>P11</b>

x 2

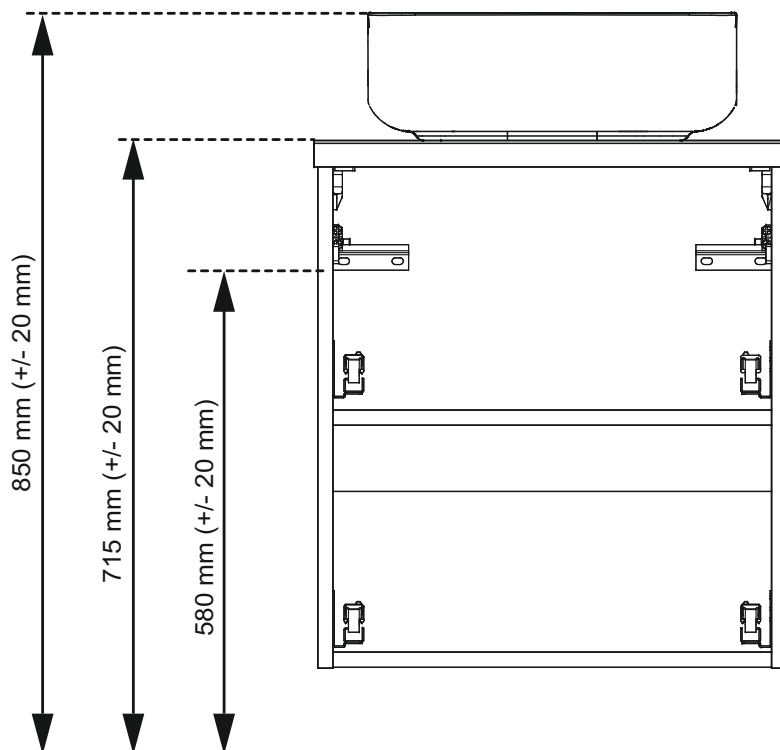
<b>ZK1</b>

x 4

<b>N7</b>

US3,5x12
x 16

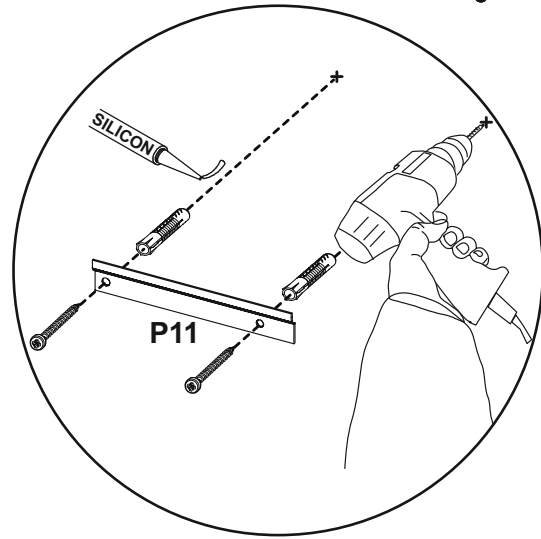
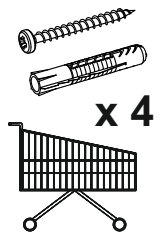
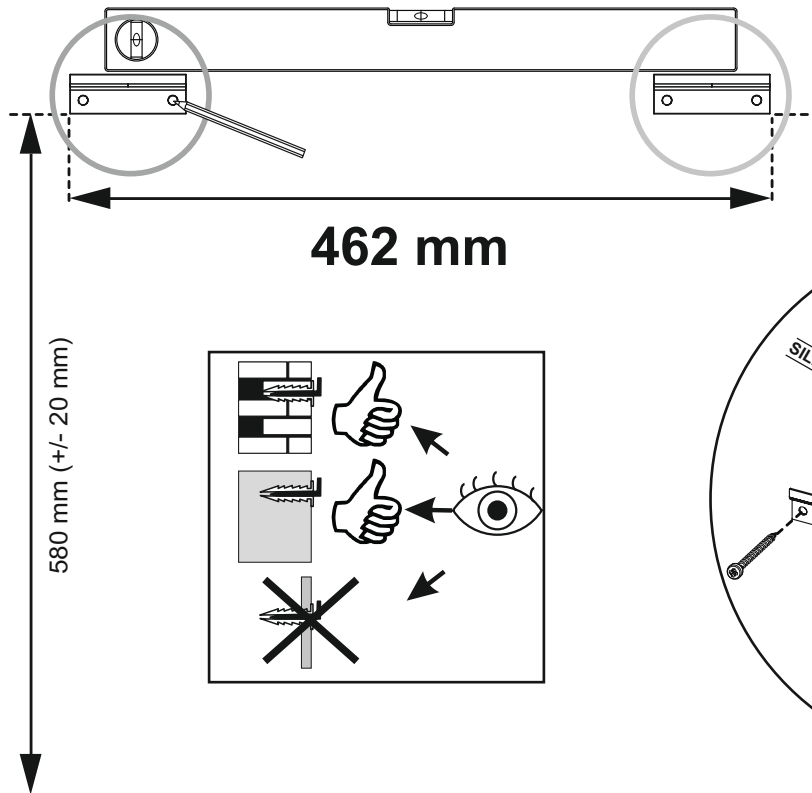
<b>H-400</b>

L=400mm
x 2

<b>K1</b>

M4x20
x 4

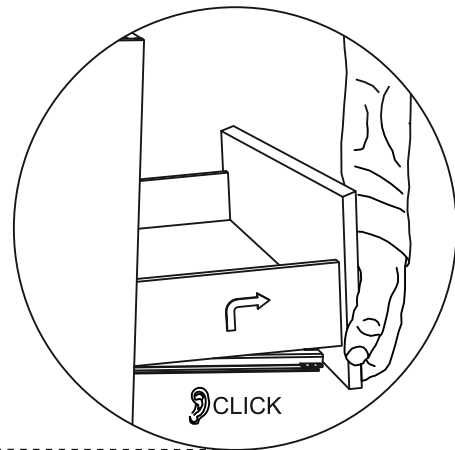
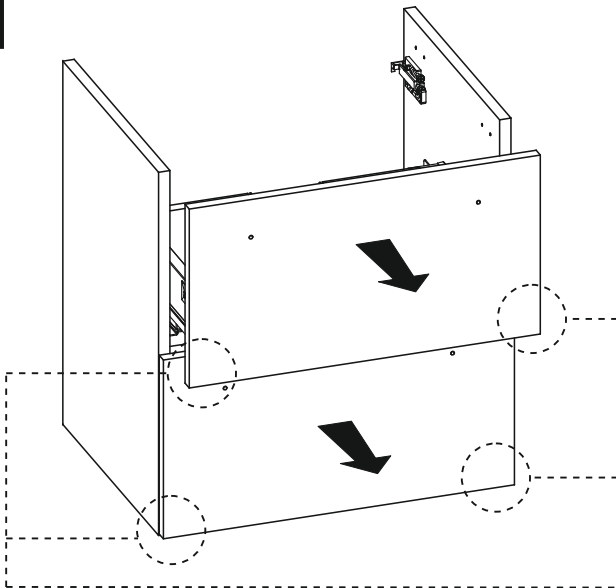
01.



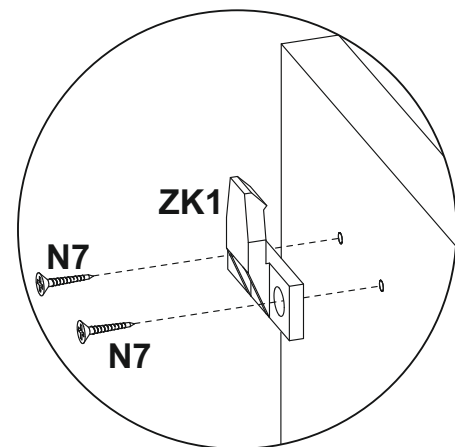
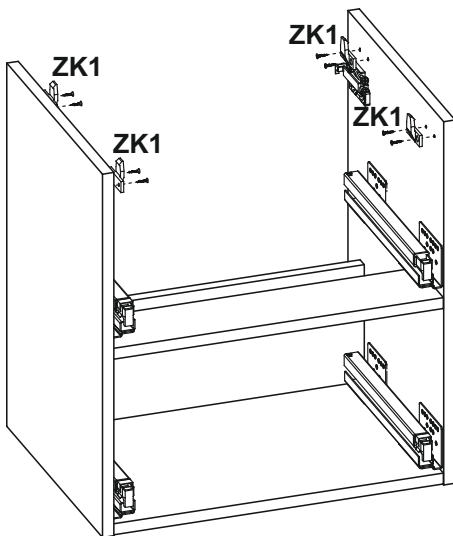
02.



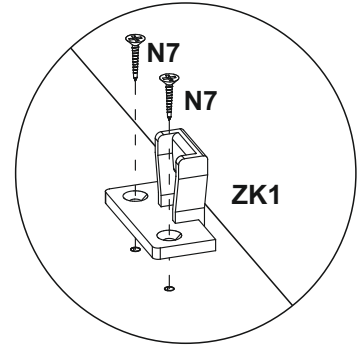
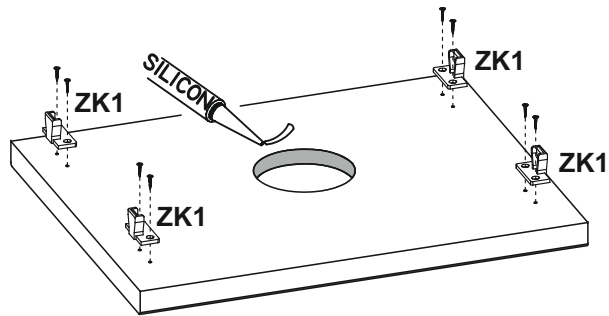
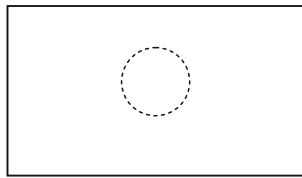
03.



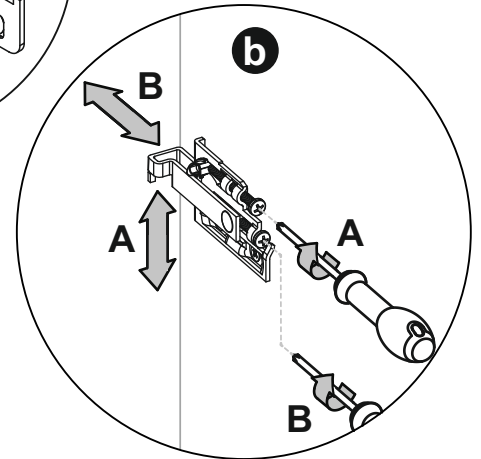
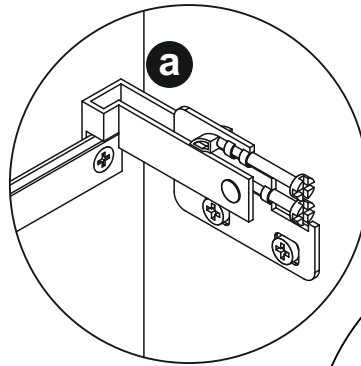
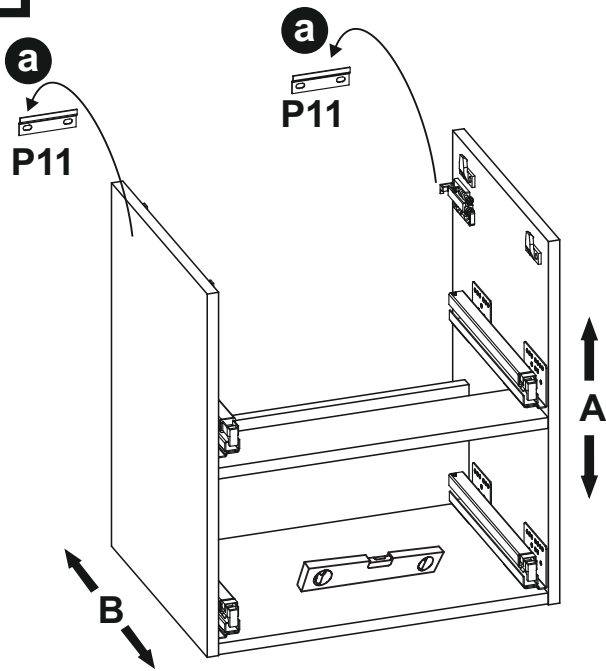
04.



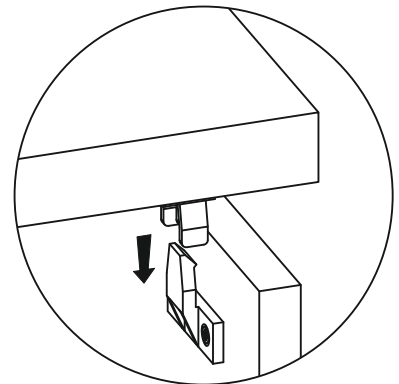
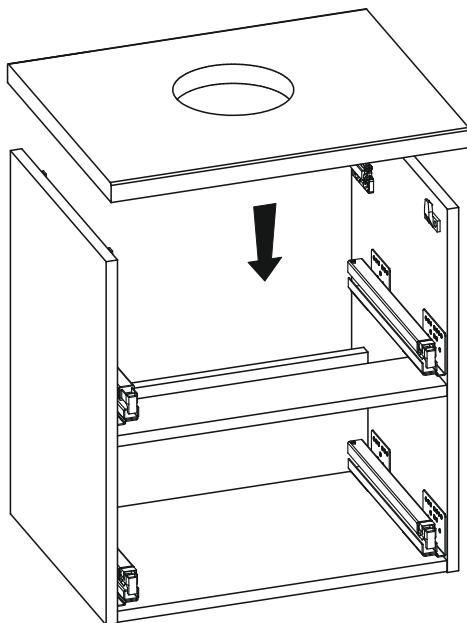
05.



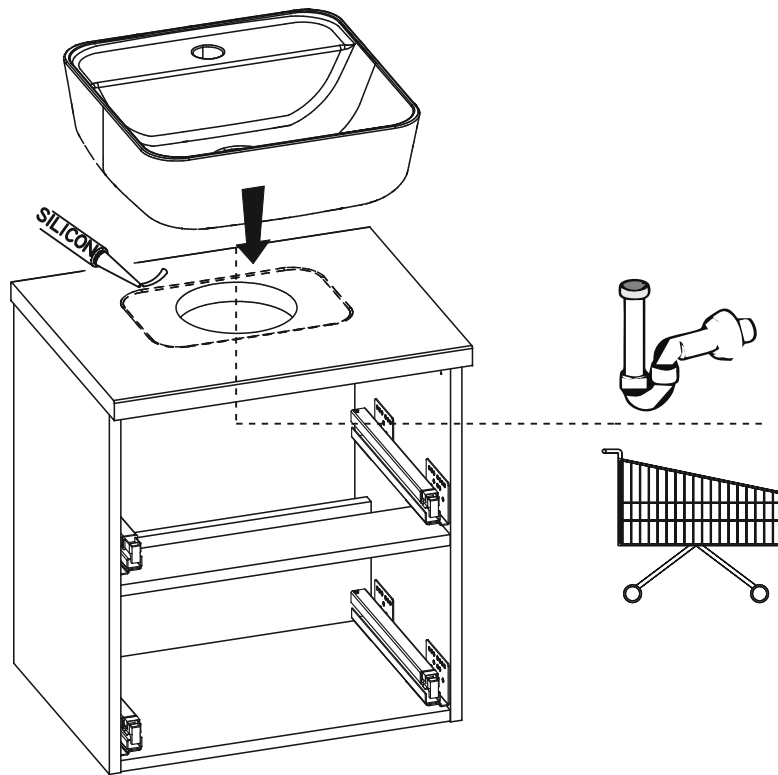
06.



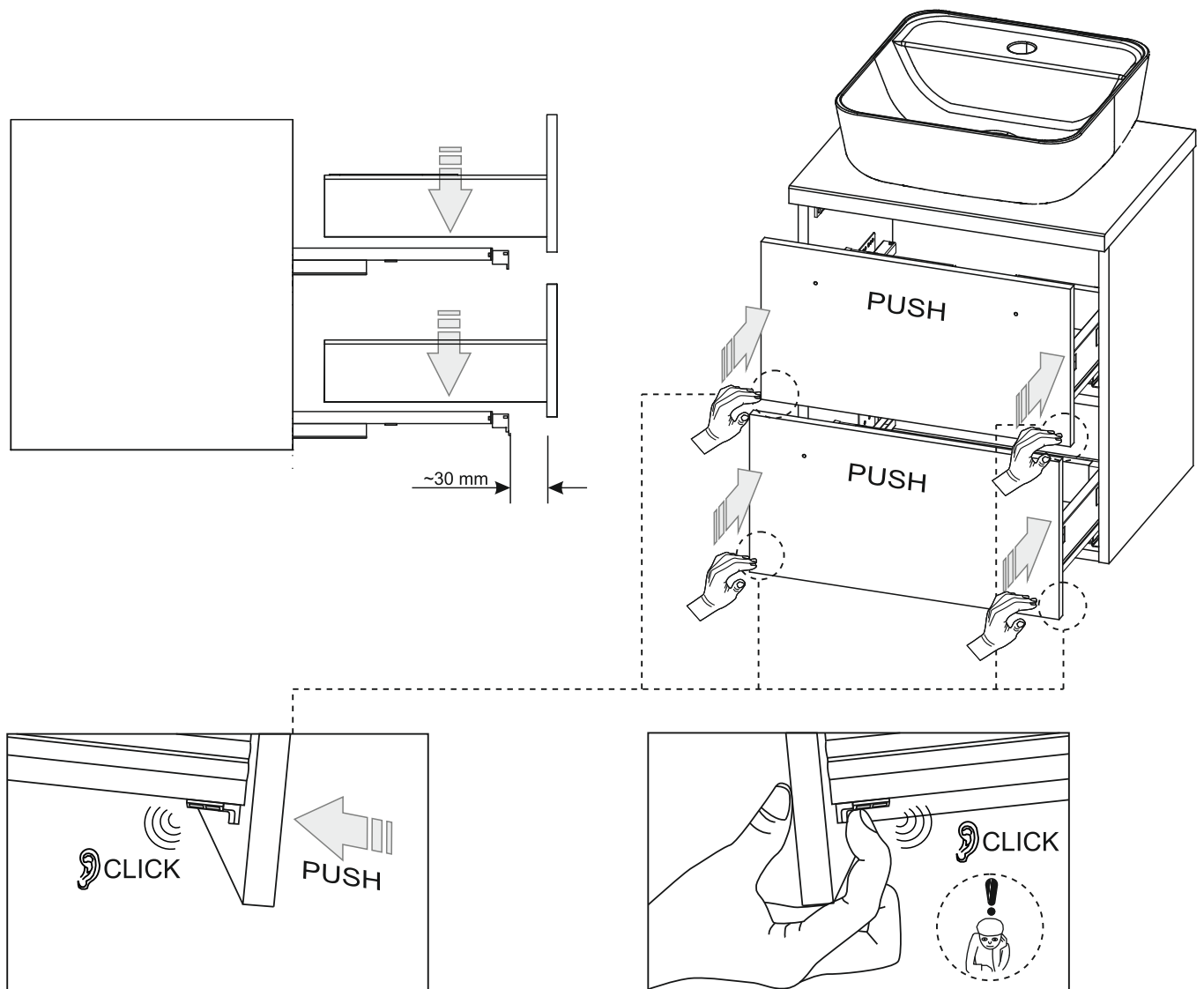
07.



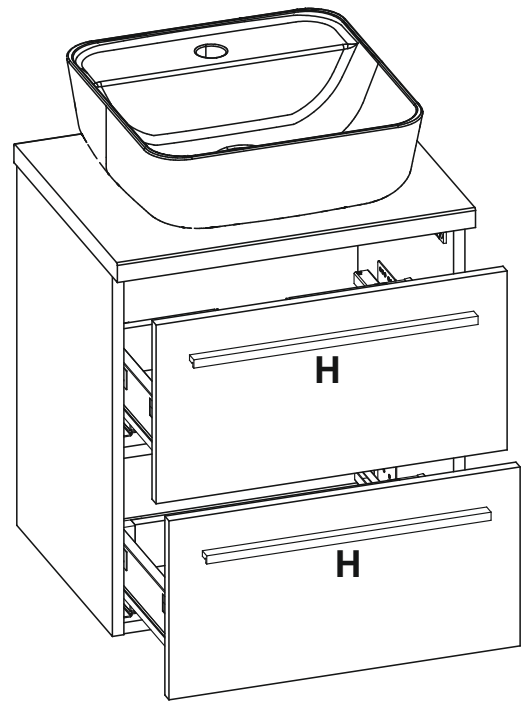
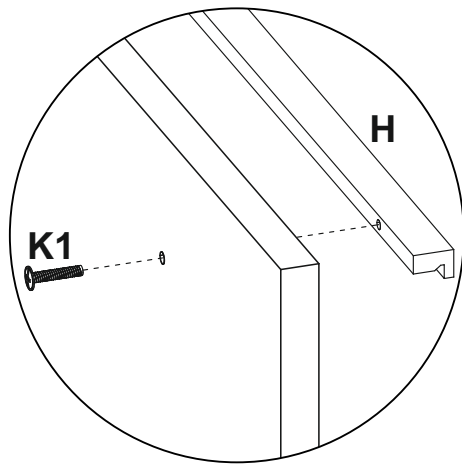
08.



09.



10.



11.

